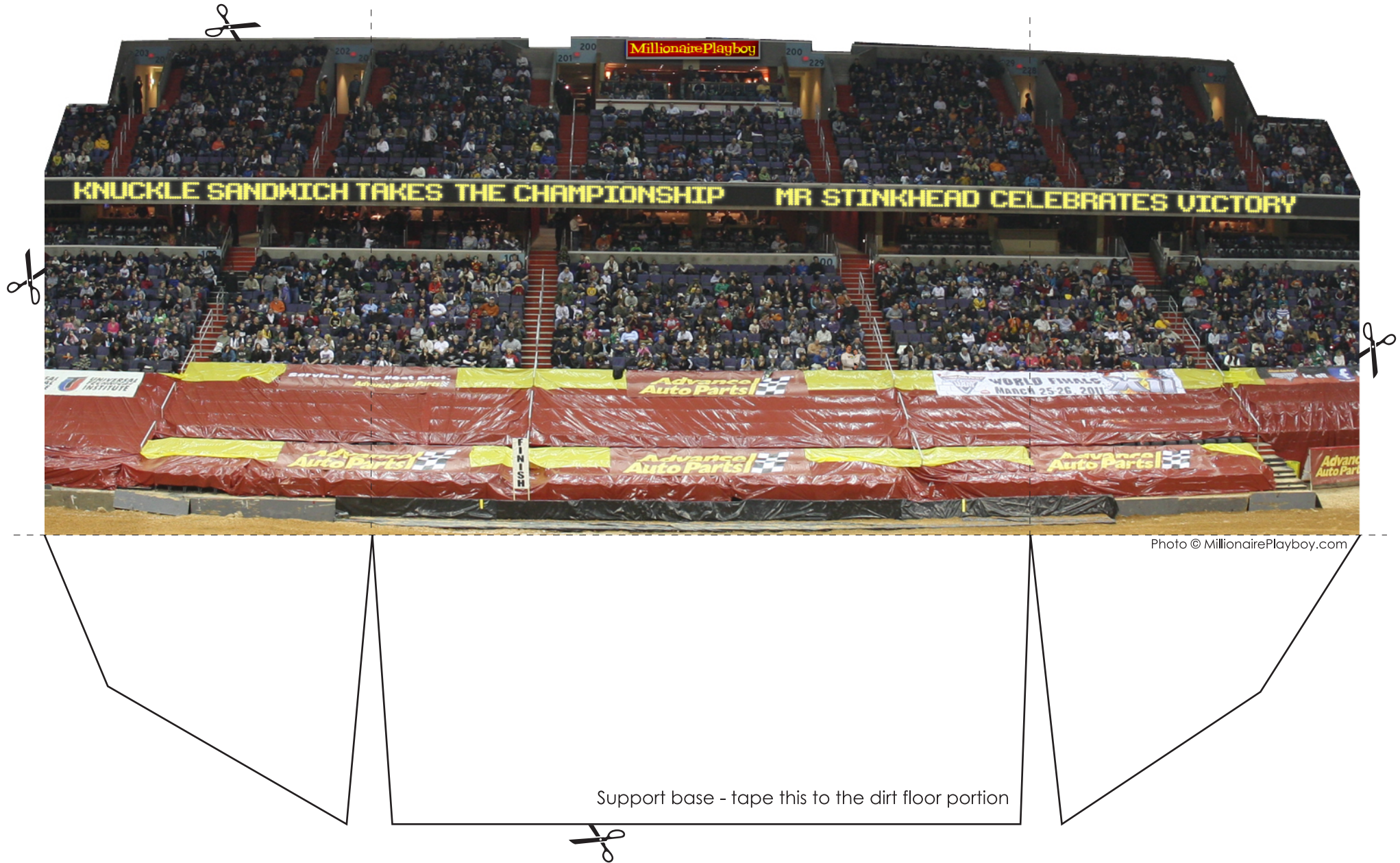


1:64 Scale Monster Truck Display - Backdrop

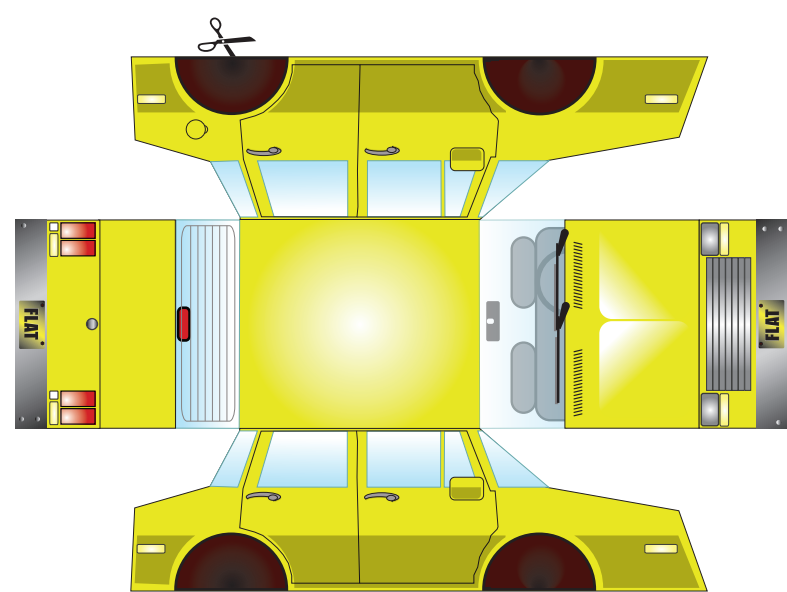
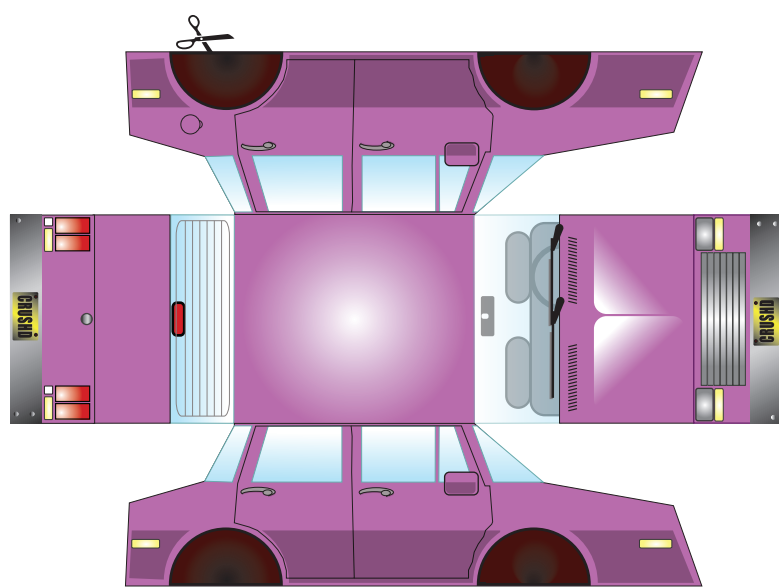


1. Cut out the entire shape along the solid edge.
2. Fold the white base tabs along the dotted line AWAY from the photo
3. Fold the side panels of the photo along the dotted lines in TOWARDS itself.

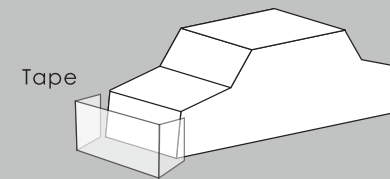
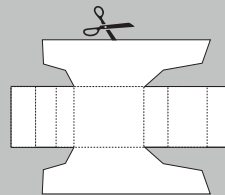
1. Cut along sold edge
2. Tape support flaps from the backdrop here.

Line up curvature of backdrop with the dotted line.



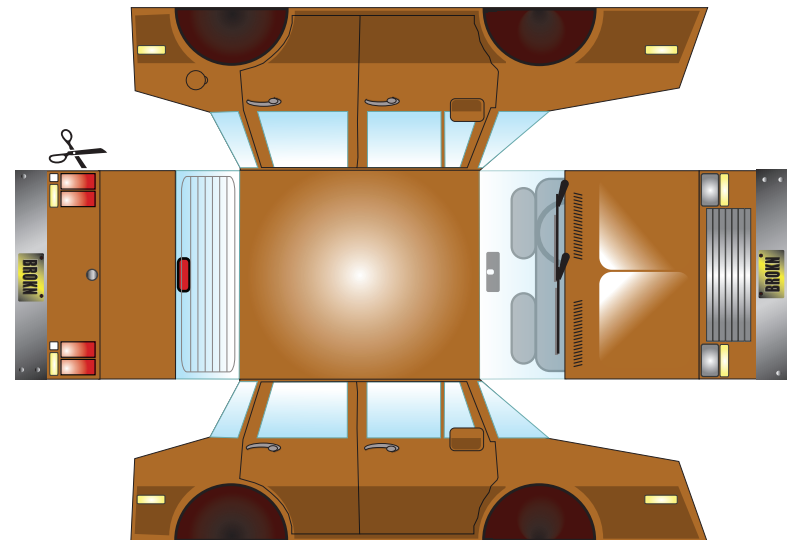
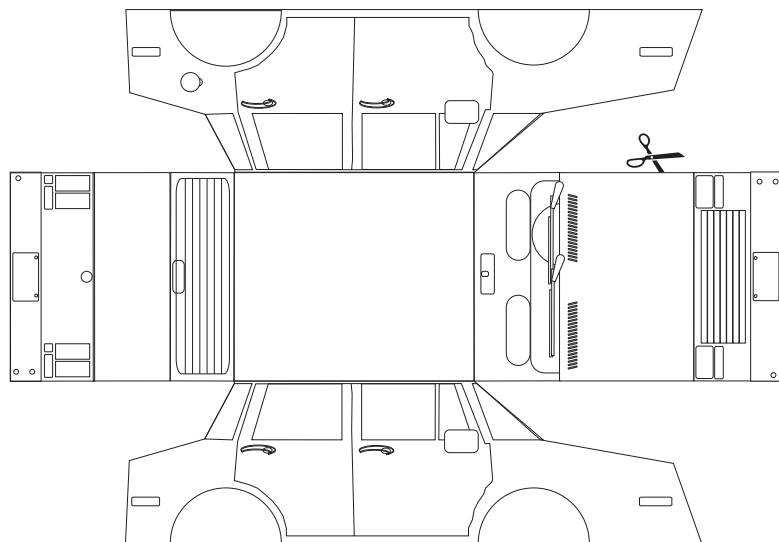


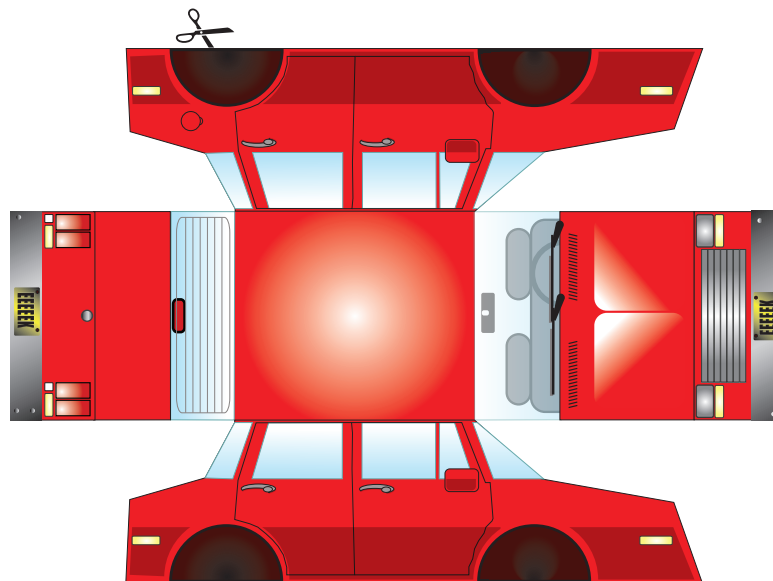
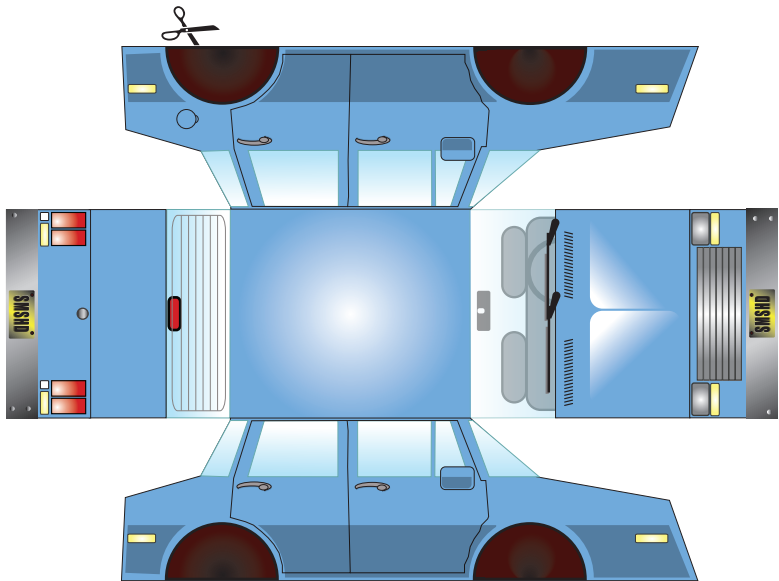
1. Print on cardstock
2. Cut on the solid line
3. Fold on the dotted lines (see guide)
4. Apply tape to the front & back



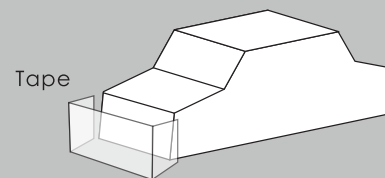
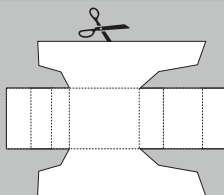
REPEAT AS DESIRED!

COLOR YOUR OWN!





1. Print on cardstock
2. Cut on the solid line
3. Fold on the dotted lines (see guide)
4. Apply tape to the front & back



REPEAT AS DESIRED!

